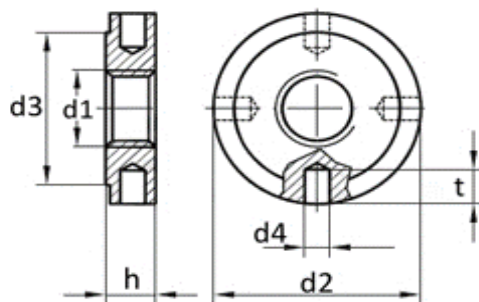


DIN 1816
Секторна гайка



размери в мм

d1	d2	d3	h	налични	d1	d2	d3	h	налични
6 x 0.75	16	12	5	★	45 x 1.5	68	60	12	@
8 x 1.0	20	16	5	★	48 x 1.5	75	67	13	@
10 x 1.0	25	20	6	★	50 x 1.5	75	67	13	@
12 x 1.5	28	23	6	★	52 x 1.5	80	70	13	@
14 x 1.5	30	25	7	★	55 x 1.5	80	70	13	@
16 x 1.5	32	27	7	★	58 x 1.5	90	80	13	@
18 x 1.5	34	28	8	★	60 x 1.5	90	80	13	@
20 x 1.5	36	30	8	★	62 x 1.5	95	85	14	@
22 x 1.5	40	34	9	★	65 x 1.5	95	85	14	@
24 x 1.5	42	36	9	★	68 x 1.5	100	90	14	@
26 x 1.5	45	38	10	★	70 x 1.5	100	90	14	@
28 x 1.5	50	43	10	★	72 x 1.5	110	100	14	@
30 x 1.5	50	43	10	★	75 x 1.5	110	100	14	@
32 x 1.5	52	45	11	@	80 x 2.0	115	105	16	@
35 x 1.5	55	48	11	@	85 x 2.0	120	110	16	@
38 x 1.5	58	50	11	@	90 x 2.0	130	120	16	@
40 x 1.5	62	54	12	@	95 x 2.0	135	120	16	@
42 x 1.5	62	54	12	@	100 x 2.0	145	130	16	@